

## TECHNICAL DATASHEET TURBOCAR

# EXECUTIVE – IG1.1S



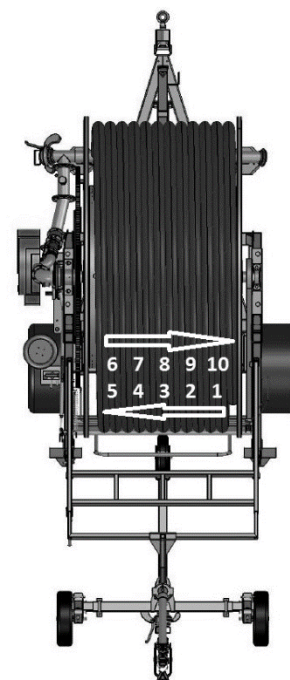
*Illustrative purposes only; the model shown here could be different that one supplied*

### STANDARD EQUIPMENT

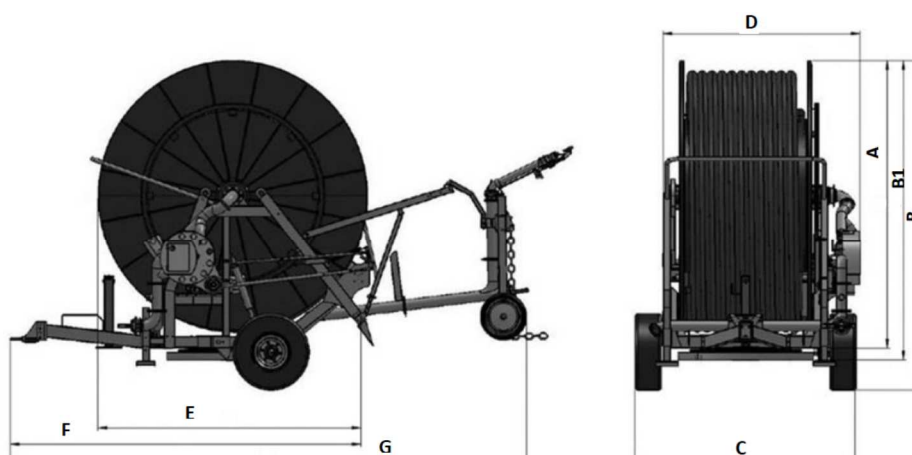
- High efficiency partial flow turbine drive directly coupled to the gearbox (minimum pressure losses in its category)
- 4 speed gearbox with oil lubrication
- Safety devices for PTO and rewinding out of the drum
- Moving transmission through toothed crown, which is placed close to the maximum stress point on the drum and not pushing against the hose reel borders
- Leadscrew driven hose layering guide
- By-pass “double action” for automatic speed control
- Glycerine filled pressure gauge
- Digital hour meters
- Huge diameter 360° turntable
- Hydraulic system for turntable rotation, trolley lift, drawbar jack and independent wheels lifting, actioned by distributor lever situated on one side of the machine
- Trolley lift and stacker legs driven by hydraulic pistons incorporated inside the structure
- Hot galvanised steel frame, pipework with double water inlet and components
- 2 wheels hot galvanised sprinkler trolley with adjustable track, height and legs
- Accident prevention protections according to CE standard
- Sprinkler with set of nozzles
- High resistant medium density PE hose with differentiated thickness
- Instructions and maintenance handbook
- CE Certificate
- Warranty certificate

## Available Models

Structure	Model	Type	Hose ending	P.E. hose Ø (mm)	Hose length L (m)	Sprinkler
IG1.1SD	100 IG 480	B	5	100	480	REFLEX / TWIN 140
	110 IG 400	A	3	110	400	REFLEX / TWIN 160
	120 IG 320	B	8	120	320	EXPLORER / TWIN 202
	120 IG 350	B	10	120	350	EXPLORER / TWIN 202
	125 IG 250	C	3	125	250	EXPLORER / TWIN 202
	125 IG 280	C	5	125	280	EXPLORER / TWIN 202



## Weight and overall dimensions



STR.	TYPE	WHEELS	A	B	B1	C	D	E	F	G	KG
IG1.1S	A	10.0/75.15.3-5F	2890	3330	3040	2450	2000	2770	3790	5800	???
	A	13.0/55.16-6F	2890	3330	3040	2450	2000	2770	3790	5800	
	B	10.0/75.15.3-5F	2890	3330	3040	2450	2000	2770	3790	5800	
	B	13.0/55.16-6F	2890	3330	3040	2450	2000	2770	3790	5800	
	C	10.0/75.15.3-5F	2890	3330	3040	2450	2000	2770	3790	5800	
	C	13.0/55.16-6F	2890	3330	3040	2450	2000	2770	3790	5800	

## Technical Features

Ø hose (mm)	Ø nozzle (mm)	Machine pressure (atm)				Sprinkler press. (atm)	Throw (mt)	Irrigated width (mt)	Flow (l/min)	Irrigated area (ha)				Rainfall (mm)			
100	26	480							480								
		6,1				3,0	42,0	71,4	732	3,46					57,9	19,3	11,6
	28	7,9				4,0	47,0	79,9	845	3,89					59,4	19,8	11,9
		9,0				4,0	51,0	86,7	980	4,25					63,1	21,0	12,6
	30	10,9				5,0	56,0	95,2	1095	4,70					63,8	21,3	12,8
		12,5				5,0	57,0	96,9	1260	4,79					72,0	24,0	14,4
	13,6				5,5	58,5	99,5	1320	4,92					73,4	24,5	14,7	
110	28	400							400								
		5,2				3,0	44,0	74,8	848	3,06					63,2	21,1	12,6
	30	6,7				4,0	51,0	86,7	980	3,59					62,2	20,7	12,4
		7,3				4,0	52,0	88,4	1127	3,67					70,1	23,4	14,0
	32	8,9				5,0	57,0	96,9	1260	4,05					70,9	23,6	14,2
		9,8				5,0	58,0	98,6	1432	4,13					79,1	26,4	15,8
	9,8				5,5	60,0	102,0	1330	4,28					70,8	23,6	14,2	
120	30	320	350							320	350						
		6,0	6,1			4,0	52,0	88,4	1127	2,99	3,25				53,6	17,9	10,7
	7,3	7,5			5,0	56,0	95,2	1260	3,25	3,52				55,2	18,4	11,0	
	32	7,8	8,0			5,0	58,0	98,6	1432	3,38	3,66				60,4	20,1	12,1
		9,2	9,4			6,0	62,0	105,4	1570	3,64	3,94				61,5	20,5	12,3
	34	8,3	8,6			5,0	59,0	100,3	1618	3,44	3,73				67,0	22,3	13,4
9,8		10,1			6,0	64,0	108,8	1773	3,77	4,08				67,0	22,3	13,4	
125	32	250	280							250	280						
		5,7	5,8			4,0	54,0	91,8	1282	2,51	2,77				72,7	24,2	14,5
	6,9	7,1			5,0	58,0	98,6	1432	2,72	3,00				74,9	25,0	15,0	
	36	7,7	8,0			5,0	61,0	103,7	1813	2,88	3,18				89,6	29,9	17,9
		9,1	9,4			6,0	66,0	112,2	1988	3,16	3,48				89,7	29,9	17,9
	38	8,2	8,5			5,0	63,0	107,1	2022	2,99	3,30				96,2	32,1	19,2
9,6		10,0			6,0	68,0	115,6	2215	3,27	3,60				96,5	32,2	19,3	